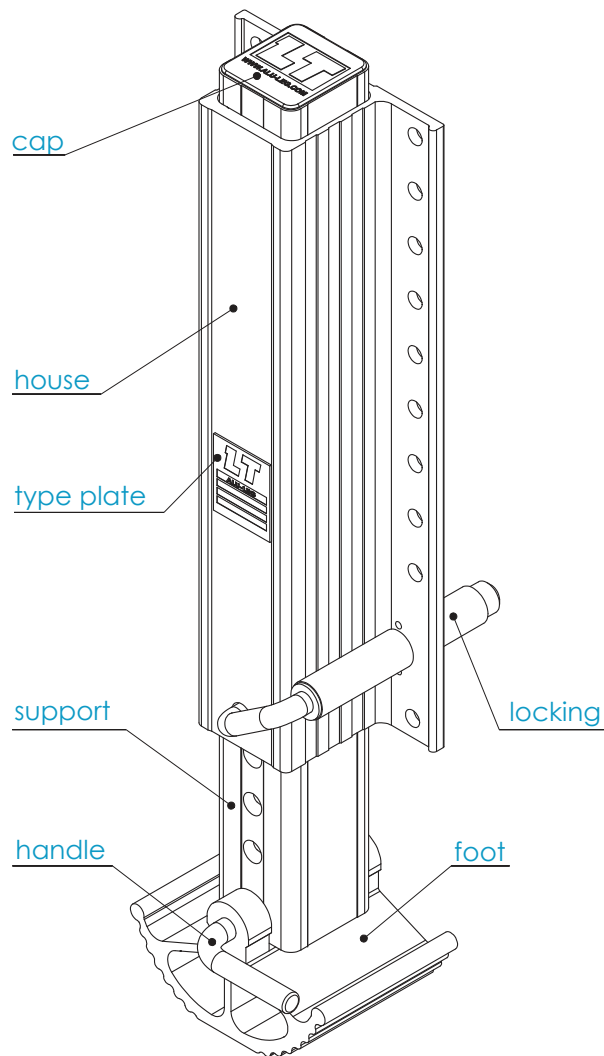
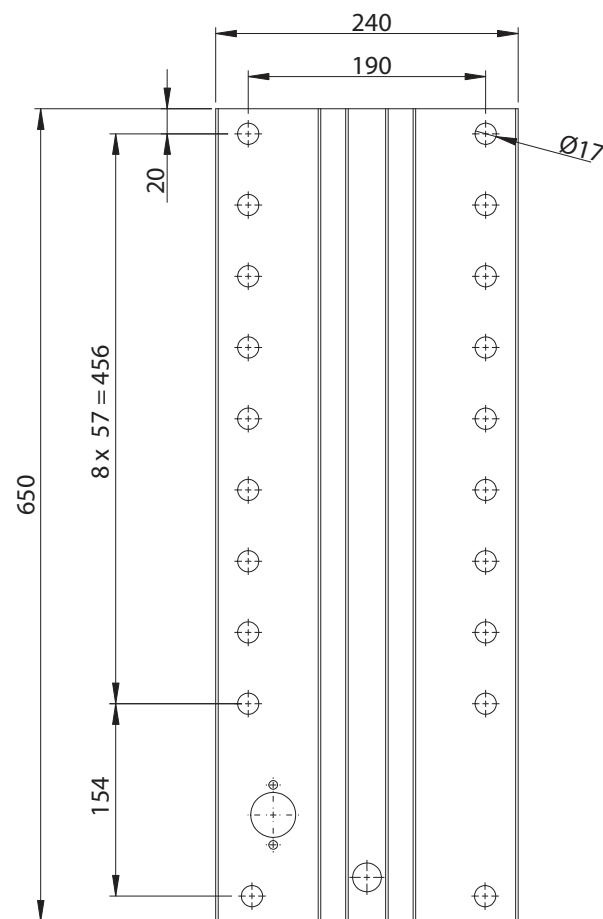


parts



hole pattern house



specifications

LT 650.700

Support	700 mm
House	650 mm
Max. length	1.295 mm
Min. length	795 mm
Stat. capacity	25 t / set
Weight	39 Kg / set

LT 650.880

Support	880 mm
House	650 mm
Max. length	1.445 mm
Min. length	975 mm
Stat. capacity	25 t / set
Weight	41 Kg / set

